

**A RESOLUTION OF THE TOWNSHIP OF NORTH BRUNSWICK
AUTHORIZING A CONTRACT WITH DEERE AND COMPANY
FOR THE PURCHASE OF (1) ONE MOWER**

WHEREAS, under the Department of Public Works, the Parks Division provides for ground maintenance of Parks and various Township property utilizing lawn care equipment; and

WHEREAS, it was previously determined there is a need to replace an existing mower (2004 John Deere 1445) that has exceeded its useful life; and

WHEREAS, it is the Director's recommendation to the Governing Body to purchase (1) one mower; and

WHEREAS, the Township of North Brunswick is currently a member of the Educational Services Commission of New Jersey State approved Co-op #65MCESCCPS; and

WHEREAS, Deere and Company (with offices at 2000 John Deere Run, Cary, NC 25713) is an approved vendor under Educational Services Commission of New Jersey Co-Op Bid #18/19-25 for Grounds Equipment; and

WHEREAS, Deere and Company under ESCNJ #18/19-25 has provided a proposal for the purchase of one (1) John Deere 1600 Series III Turbo Wide Area Mower with 2-Post Folding ROPS at a total cost of \$58,870.55; and

NOW THEREFORE BE IT RESOLVED, that the Township Council of the Township of North Brunswick does hereby authorize an award of contract to Deere and Company in the amount of \$58,870.55 for the purchase of one (1) mower; and

BE IT FURTHER RESOLVED, that the Township Council of the Township of North Brunswick does hereby authorize the Mayor to execute and the Township Clerk to witness an agreement with Deere and Company in accordance with the previously approved Educational Services Commission of New Jersey Co-Op Bid #18/19-25.

CERTIFICATION

I, Cavel Gallimore, Chief Financial Officer, certify that funds in the amount of \$1,123.75 are available in capital account C-04-55-C20-210-101; and certify funds in the amount of \$9,985.28 are available in capital account C-04-55-C20-210-301; and certify funds in the amount of \$5,000.00 are available in capital account C-04-55-C21-220-101; and certify funds in the amount of \$42,761.52 are available in capital account C-04-55-C21-220-301. PO# 22-01724

Cavel Gallimore
Chief Financial Officer

Eric Chaszar
Director of Public Works

Justine Progebin
Business Administrator

Ronald Gordon, Esq.
Township Attorney
Approved as to legal form

RECORDED VOTE:

COUNCIL MEMBER	YES	NO	ABSTAIN	NOTES
MEHTA				
LOPEZ				
GUADAGNINO				
ANDREWS				
SOCIO				
DAVIS				
MAYOR WOMACK				

I hereby certify that the above Resolution was duly adopted by the Township Council of the Township of North Brunswick, County of Middlesex, at its meeting held on February 7, 2022.

Lisa Russo
Township Clerk

YOUR CONTRACT. YOUR QUOTE. YOUR HELP REQUESTED.

**Ensure your equipment arrives with no delay.
Issue your Purchase Order or Letter of Intent.**

To expedite the ordering process, please include the following information in Purchase Order or Letter of Intent:

For any questions, please contact:

- Shipping address
- Billing address
- Vendor: John Deere Company
2000 John Deere Run Cary,
NC 27513
- Contract name and/or number
- Signature
- Tax exempt certificate, if applicable

Steve Magno

Power Place, Inc.
297 Route 22 East
Whitehouse Station, NJ 08889

Tel: 908-534-2837

Mobile Phone: 908-300-6666

Fax: 908-534-5845

Email: steve.magno@powerplaceinc.com

ALL PURCHASE ORDERS MUST BE MADE OUT TO (VENDOR):

Deere & Company
 2000 John Deere Run
 Cary, NC 27513
 FED ID: 36-2382580; DUNS#: 60-7690989

ALL PURCHASE ORDERS MUST BE SENT TO DELIVERING DEALER:

Power Place, Inc.
 297 Route 22 East
 Whitehouse Station, NJ 08889
 908-534-2837
 josh@powerplaceinc.com

Quote Summary

Prepared For:

NORTH BRUNSWICK PARKS & RECREATION
 2053 US HIGHWAY 130
 NORTH BRUNSWICK, NJ 08902
 Business: 732-289-3125

Delivering Dealer:

Power Place, Inc.
 Steve Magno
 297 Route 22 East
 Whitehouse Station, NJ 08889
 Phone: 908-534-2837
 Mobile: 908-300-6666
 steve.magno@powerplaceinc.com

Quote ID: 25779402
Created On: 15 December 2021
Last Modified On: 15 December 2021
Expiration Date: 14 January 2022

Equipment Summary	Selling Price	Qty	=	Extended
John Deere 1600 Series III Turbo Wide Area Mower 2-Post Rops "ESCNJ CO-OP"	\$ 58,870.55	1	=	\$ 58,870.55
Contract: NJ Grounds Equip ESCNJ 18/19-25 - Co-op #65MCESCCPS (PG 0F CG 22)				
Price Effective Date: November 2, 2020				
Equipment Total				\$ 58,870.55

* Includes Fees and Non-contract items

Quote Summary

Equipment Total	\$ 58,870.55
Trade In	
SubTotal	\$ 58,870.55
Est. Service Agreement Tax	\$ 0.00
Total	\$ 58,870.55
Down Payment	(0.00)
Rental Applied	(0.00)
Balance Due	\$ 58,870.55

Salesperson : X _____

Accepted By : X _____

Selling Equipment

Quote Id: 25779402 **Customer Name:** NORTH BRUNSWICK PARKS & RECREATION

ALL PURCHASE ORDERS MUST BE MADE OUT TO (VENDOR):

Deere & Company
 2000 John Deere Run
 Cary, NC 27513
 FED ID: 36-2382580; DUNS#: 60-7690989

ALL PURCHASE ORDERS MUST BE SENT TO DELIVERING DEALER:

Power Place, Inc.
 297 Route 22 East
 Whitehouse Station, NJ 08889
 908-534-2837
 josh@powerplaceinc.com

John Deere 1600 Series III Turbo Wide Area Mower 2-Post Rops "ESCNJ

Hours:

Stock Number:

Contract: NJ Grounds Equip ESCNJ 18/19-25 - Co-op
 #65MCESCCPS (PG 0F CG 22)

Selling Price *
 \$ 58,870.55

Price Effective Date: November 2, 2020

* Price per item - includes Fees and Non-contract items

Code	Description	Qty	List Price	Discount%	Discount Amount	Contract Price	Extended Contract Price
0731TC	1600 Turbo Series III Commercial Wide Area Mower with 2-Post Folding ROPS	1	\$ 75,429.00	22.00	\$ 16,594.38	\$ 58,834.62	\$ 58,834.62
Standard Options - Per Unit							
001A	United States and Canada	1	\$ 0.00	22.00	\$ 0.00	\$ 0.00	\$ 0.00
0443	US English w/ Spanish (Bi-Lingual) Operator's Manual	1	\$ 0.00	22.00	\$ 0.00	\$ 0.00	\$ 0.00
Standard Options Total			\$ 0.00		\$ 0.00	\$ 0.00	\$ 0.00
Dealer Attachments/Non-Contract/Open Market							
TCA13825	SMV Caution Sign Kit	1	\$ 46.06	22.00	\$ 10.13	\$ 35.93	\$ 35.93
Dealer Attachments Total			\$ 46.06		\$ 10.13	\$ 35.93	\$ 35.93
Value Added Services Total			\$ 0.00			\$ 0.00	\$ 0.00
Total Selling Price			\$ 75,475.06		\$ 16,604.51	\$ 58,870.55	\$ 58,870.55

Quote ID :25779402Customer Name : NORTH BRUNSWICK PARKS & RECREATION

Product features, prices and specifications are based on published information at the time of publication and are subject to change without notice. All trademarked terms, including John Deere, the leaping deer symbol and the colors green and yellow used herein are the property of Deere & Company, unless otherwise noted. Products, product features, and other content on this site may only be accurate for products marketed and sold in North America.

Copyright ?? 1994- 2021 Deere & Company. All Rights Reserved.

File Created: 15-Dec-2021

2021 John Deere 1600 Series III Turbo Wide Area Mower 2-Post Rops "ESCNJ CO-OP"

Key Features

Powerful turbocharged diesel engine for superior performance

The 1600 Turbo Series III WAM is powered by a liquid-cooled, turbocharged, four-cylinder, 60-hp (44.7-kW) at 3000 rpm, PS diesel engine.

Engine features include:

- 117.3 lb-ft (159 Nm) of torque at 3000 rpm for extra lugging power on hills and in tough mowing conditions
- Large 127.6-cu in. (2.091-L) displacement, which produces the torque needed to handle hills and tough mowing conditions
- Engine is a 16-valve (four valves per cylinder, two intake and two exhaust) design:
- Cold-start device to increase engine timing for improved cold starting
- Full-pressure lubrication for positive lubrication with continuous operation on slopes
- Dual-element air filter that is completely sealed for effective cleaning



1600 Turbo Series III Wide-Area Mower (WAM) engine



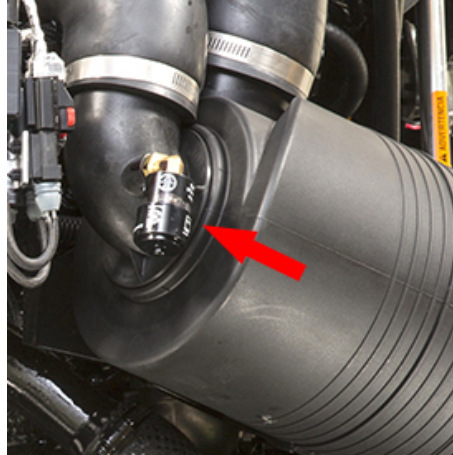
1600 Turbo Series III WAM engine

- Progressive-type air-restriction indicator to let operator know when the filter needs servicing
- Automotive-type alternator (75 amp) that provides plenty of charge to the battery
- Glow plugs for quick starting in cold weather
- Automotive sensing system, which tells the operator when the engine is ready to start
- Isolated engine mounting, which reduces engine vibration in the operator's station for more comfortable operation

Quote ID :25779402Customer Name : NORTH BRUNSWICK PARKS & RECREATION



Air filter with air-restriction indicator



Air-restriction indicator

Direct fuel injection

- Injects fuel directly on top of pistons for more efficient combustion, less emissions
- Delivers more power per gallon of fuel
- Quicker starting and quieter operation
- Designed to meet California emission standards
- Features low levels of exhaust and emissions and excellent fuel economy. It meets the necessary Environmental Protection Agency (EPA) Tier 4 standard and meets 97/68/EC EU non-road mobile machinery (NRMM) emissions regulation
- Electronic engine control and cooled exhaust gas recirculation (EGR) system
- High-pressure common fuel rail for lower emissions and improved engine responsiveness

Flow of exhaust during engine operation

- Exhaust airflow enters into the EGR cooler from the exhaust manifold near the turbocharger
- Cooler takes hot exhaust gases and cools them to where the temperature will not have excessive impact on combustion efficiency
- Based on load, air temperatures, and rpm, the engine control unit (ECU) opens (or closes) the EGR valve, allowing exhaust gases into the intake manifold. The gases mix with the rest of the incoming air from the turbocharger and aftercooler.

Other engine features:

- Overhead valve (OHV) for efficient combustion
- Liquid-cooled for more consistent operating temperatures
- Closed crankcase ventilation that burns crankcase hydro-carbon evaporation
- Deluxe air-intake system
- Hood that is composed of a large, black, cross-link polyethylene-composite center section with green, metal side panels
 - The composite center section includes air-intake screens and helps to guide the cooler air from above the machine to the radiator. The design provides a uniform distribution of clean air, as well as minimizing the amount of chaff collection on the exterior screens.
- Additional sealing around the operator station reduces the amount of hot air blowing on the operator, which in turn improves operator comfort.
- The rear bumper helps with hood sealing and reduces the potential for rear hood damage.

Quote ID :25779402Customer Name : NORTH BRUNSWICK PARKS & RECREATION



1600 Turbo Series III WAM side view



Deluxe air-intake system

22 gal. (83.3 L) of fuel on board, plenty for a long day of mowing

The operator can fill the fuel tank without removing the hood. The fuel tank capacity is 22 U.S. gal. (83.3 L) for all-day mowing.



Fuel tank



Large fuel fill opening

Key Features

Two-post folding Roll-Gard™ rollover protective structure (ROPS)

The two-post folding Roll-Gard ROPS and seat belt are standard equipment:

- When used in combination with seat belts and safe operating practices, the ROPS is effective in reducing serious injuries and death from rollover accidents.

The standard-equipment Roll-Gard ROPS can be folded to allow for additional clearance when needed. With the ROPS in the folded-down position, the machine fits under a standard doorway.

The ROPS meets the International Organization for Standardization (ISO) 21299 ROPS standard – defined test procedures and acceptance criteria for the rollover protective structures of powered ride-on turf care machinery. Under the support of the Outdoor Power Equipment Institute (OPEI), a panel was formed that brought together an international group of ROPS experts that presented the best-learned practices regarding off-highway vehicle operator crush protection. The result of this undertaking is a standard dedicated to protecting operators of powered ride-on turf maintenance equipment.

The ROPS can be folded down without tools for operation under tree canopies or in other confined operating spaces. Operators should leave the ROPS in the upright position for all other mowing:

- The folding ROPS enhances operator safety and still provides clearance when loading on enclosed trailers.

Folding the ROPS is simple - remove two pins and rotate the top of the Roll-Gard ROPS down. Adjustments can be made from the operator's station.

Quote ID :25779402Customer Name : NORTH BRUNSWICK PARKS & RECREATION

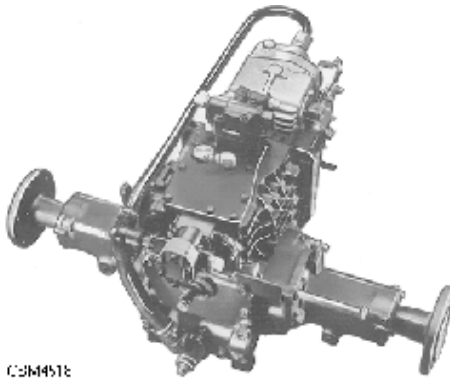
The folding ROPS performance is certified at the date of manufacture, per the following standard:
• ISO 21299



Two-post Roll-Gard ROPS



ROPS folded down for clearance

Key Features**Maximum productivity with hydrostatic transmission and transaxle**

CBM451E

Hydrostatic transmission

A hydrostatic transmission is used for reliable operation.

Durability features include:

- Large, forged, one-piece trunnion shaft with large support bearings to reduce vibration and noise
- Charge pump used to efficiently deliver oil to the transmission
- Oil cooler to cool transmission oil for longer transmission life
- Pressure-side filtration to allow use of a finer mesh (10 micron filter) than suction filtration systems

High-range/low-range transaxle allows the following:

- High range has maximum speed of 15 mph (24.1 km/h) for faster transport. Power take-off (PTO) can be engaged for mowing in high range.
- Low range has a maximum speed of 9 mph (14.5 km/h). The wide-area mower (WAM) can mow in both low and high range.

The differential lock is standard equipment:

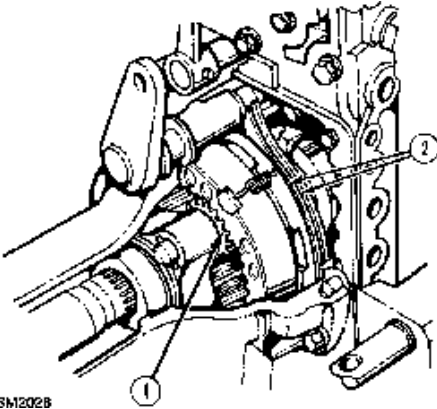
- It locks both the front drive wheels together for extra traction, when needed.
- Conveniently located pedal allows the operator to engage the differential lock.



Differential lock

Quote ID :25779402Customer Name : NORTH BRUNSWICK PARKS & RECREATION

Planetary final drive and wet-disc brakes ensure durability and long life



CSM1202B

Planetary final drive/wet-disc brakes

Mechanical rear-wheel drive



1600 Turbo Series III Wide-Area Mower (WAM) mechanical rear-wheel drive axle

The planetary final drive (label 1 in the drawing) does the following:

- Evenly distributes stress load for long life
- Has heavy-duty drive axles for extra durability

Wet-disc brakes (label 2 in the drawing) do the following:

- Provide positive stopping power and long life
- Require minimal adjustment
- Include individual turn brakes as standard

Two-function mechanical rear-wheel drive is standard equipment:

- On-demand four-wheel drive (4WD) automatically engages and disengages as needed. The machine operates in two-wheel drive (2WD) until front-wheel slip is detected. If front-wheel slip is detected, the machine then automatically engages 4WD in the forward direction.

- Constantly maximizes trimming ability
- Better fuel economy than full-time 4WD
- Less steering tire wear than full-time 4WD
- Increases traction and trimming ability to allow a novice operator to mow like an expert
- Works in the forward direction only
- Full-time 4WD is on only when shifted into position by the operator.
- Can be engaged or disengaged on the go
- Provides maximum traction and flotation in difficult operating conditions
- Works in reverse as well as the forward direction

Key Features

Exclusive air-intake system draws clean air from the top of the machine for consistent cooling



Air-intake system



High-capacity cooling system

An innovative, exclusive air-intake system draws clean air from the top of the machine instead of the rear. This keeps the radiator cleaner and prevents the engine from overheating.

The high-capacity cooling system combines the radiator and hydraulic oil cooler.

Quote ID :25779402Customer Name : NORTH BRUNSWICK PARKS & RECREATION

Key Features

Standard high-back, air-ride seat provided for operator comfort



High-back, air-ride seat

An air-ride suspension seat is standard equipment and provides maximum operator comfort across a wide range of operator traits. Key adjustments include the following:

- Weight and height adjustment allow for proper ride and suspension height.
- Fore-aft seat slide adjustment helps account for a wide range of heights.
- Fore-aft suspension travel to improve directional changes during operation.
- Back angle tilt adjustment is available for the back portion of the seat.
- Lumbar adjustment provides proper back support.
- Standard, adjustable armrests are made of a durable material that provides adequate support and surface area for the operator's arms.
- High seat-back profile features body-contoured seat cushions.
- Cushions are ideal for those who seek proper back support. The highly-resilient contoured foam construction allows for all-day mowing comfort.
- A raised seat ensures a commanding view to the front and side mower decks.
- The retractable seat belt is convenient to use.

The comfortable seat, along with ample legroom in the operator's platform, convenient pedal locations, and adjustable steering column make operator comfort on the John Deere 1600 Turbo Wide-Area Mower among the best in the industry.

The standard air-ride seat with adjustable armrests is designed with comfort, safety, and ergonomics in mind, ensuring relaxed, healthy sitting for hours on end.

The standard high-back, air-ride seat has many high-quality features:

- Adjustments are provided for operator armrests, lumbar support, and back angle, and air suspension is adjustable for the operator's weight and ride.



Fore-aft lever

Quote ID :25779402Customer Name : NORTH BRUNSWICK PARKS & RECREATION



Armrest adjustment



Air-ride seat adjustment

The armrests are standard and the seat pads are replaceable.



Back-angle adjustment

Key Features

Excellent performance from high-traction tires and low-maintenance caster tires



SM11E22

Tires

Large, 18x9.5-8 steering (rear) and 26x12-12 (front) drive tires provide excellent traction and flotation. Both tires have a six-ply rating.

Quote ID :25779402Customer Name : NORTH BRUNSWICK PARKS & RECREATION

Caster tires



Caster tire

Semi-pneumatic mower deck caster tires are standard equipment. Benefits provided by semi-pneumatic tires include:

- Looks and performs like a rubber air-filled tire
- No flats means reduced downtime
- Reduces maintenance time and expense
- No need to worry about inflating caster tires ever again
- Reduced incidents of caster tires rolling off of the rim
- Semi-pneumatic tires never need air maintenance, nor will they become flat when punctured, making them truly flat-free

Key Features

Mower decks have many performance and convenience features

Isolated deck motor design



Isolated deck motor design

The isolated deck motor design consists of three cast-iron mounting structures for the deck motors. Rubber isolators that are similar to engine mount isolators are located between the castings and the deck shell brackets.

The rubber isolators allow the castings to flex relative to the deck shell. The addition of the isolators stops the vibration path between the hydraulic motor and the deck shell, thus preventing the amplification of sound by the deck shell.

Deck motors

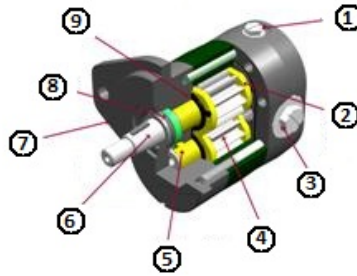
- Radial case drain
- Pressure balanced bronze-on-steel thrust plates
- Flexible configuration of shaft, flange, and ports
- One-piece steel gears with 12-tooth profile
- Heavy-duty, low-friction sleeve bearings
- Integrated dust protector
- High-strength ductile iron body and covers
- High-temperature Viton® rubber shaft seals
- Figure 8 monolithic high-temp load seals

The deck motors are capable of withstanding high pressure requirements for all-day mowing. Motors have Viton seals, which can withstand higher hydraulic temperatures. The motor contains a dust seal to help eliminate debris from entering into the hydraulic connections.

Quote ID :25779402Customer Name : NORTH BRUNSWICK PARKS & RECREATION

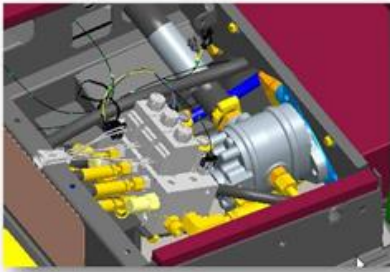


Deck motor



D Series deck motor

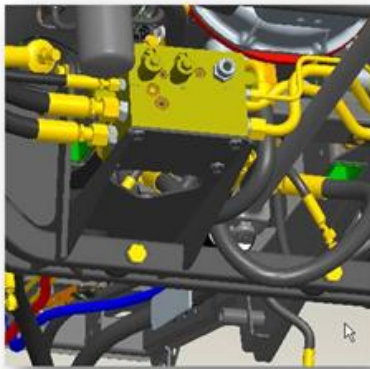
Lift valve



Lift valve

The lift valve controls the cylinders that lift and lower the decks. It also controls the axial piston deck-motor pump (turns it on and off).

Mow valve



Mow valve

The mow valve controls the hydraulic flow to the wing deck circuits.

Mower mulch kit available

A mulch kit is available as an attachment for field conversion. The mulch kit includes unique mulch blades, baffles, and a deflector shield to produce smaller clippings, which decompose faster than un-mulched clippings. Operators should follow the one-third rule when mulching grass.

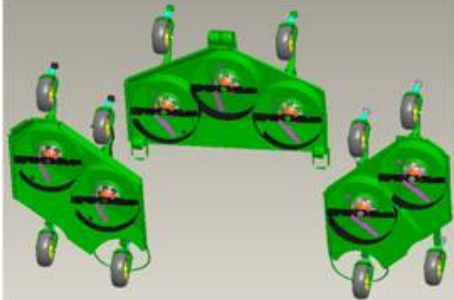
This mulch kit also does an excellent job when mulching leaves.

BTC10335 TriCycler Mulching Kit

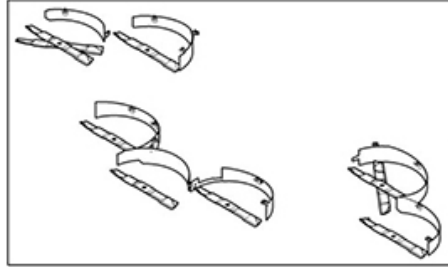
NOTE: Applicable for serial numbers starting with 1TC1600TPBT100007 and higher, model year 2012 and newer.

Quote ID :25779402Customer Name : NORTH BRUNSWICK PARKS & RECREATION

Viton is a trademark of The Chemours Company.



WAM mulch kit illustration



WAM mulch kit illustration



Wide-area mower (WAM) top view



WAM front view with side mowers raised



128 in. (325.1 cm)
with both wings down



94 in. (238.8 cm) with center
deck and either side deck down

The 1600 Turbo Series III WAM is equipped with a 62-in. (157.5-cm) center deck and two 42-in. (106.7-cm) wings. Cutting widths are 128 in. (325.1 cm) using all three decks, 94 in. (238.8 cm) using the center deck and either wing deck, and 62 in. (157.5 cm) with the center deck only. All decks are rear discharge. Wings fold for transport and reduce the machine's width to a narrow 84 in. (213 cm), so it can easily be driven along golf-cart-size paths or fit on a trailer. The wing decks will float 45 degrees above horizontal and 20 degrees below horizontal, following the ground contour.

Quote ID :25779402Customer Name : NORTH BRUNSWICK PARKS & RECREATION



Front and side mowing



62 in. (157.5 cm)
with center deck only

All decks have a unique baffling system that reduces clumping and provides even clipping dispersal for exceptional appearance.

Features common to these rear-discharge mower decks include:

- Mower decks are fabricated from 7-gauge, 0.179-in. (4.6-mm) steel, the thickest in the industry; strength has been designed into the 1600 Turbo Series III WAM mower decks for increased reliability
- A 3/4-in. (1.9-cm) solid bar runs along the entire mower deck perimeter for added strength
- Dual-range height of cut spans 1 in. (2.54 cm) to 5.5 in. (14 cm) in 0.5-in. (1.27-cm) increment adjustments
- Wing deck float of 45 degrees upward and 20 degrees downward provides excellent cut quality when mowing undulating terrain
- Each wing deck has four caster wheels to follow ground contour and provide unmatched cut quality
- Unique baffling system produces even grass dispersal for superior appearance



Underside of 62-in. (157.5-cm) deck Side view of 42-in. (106.7-cm) deck

Patented impact-absorbing system

A patented impact-absorbing system is provided:

- This exclusive feature allows the wing decks to move rearward and inward when contacting obstructions such as trees, curbs, or other solid objects to prevent damage.
- Mowers are safety certified (meaning that mowers have been evaluated by the manufacturer [John Deere Turf Care] and conform to American National Standards Institute [ANSI] B71.4 Safety Certification Specifications for Commercial Turf Care Equipment).

Quote ID :25779402Customer Name : NORTH BRUNSWICK PARKS & RECREATION



Patented impact-absorbing system