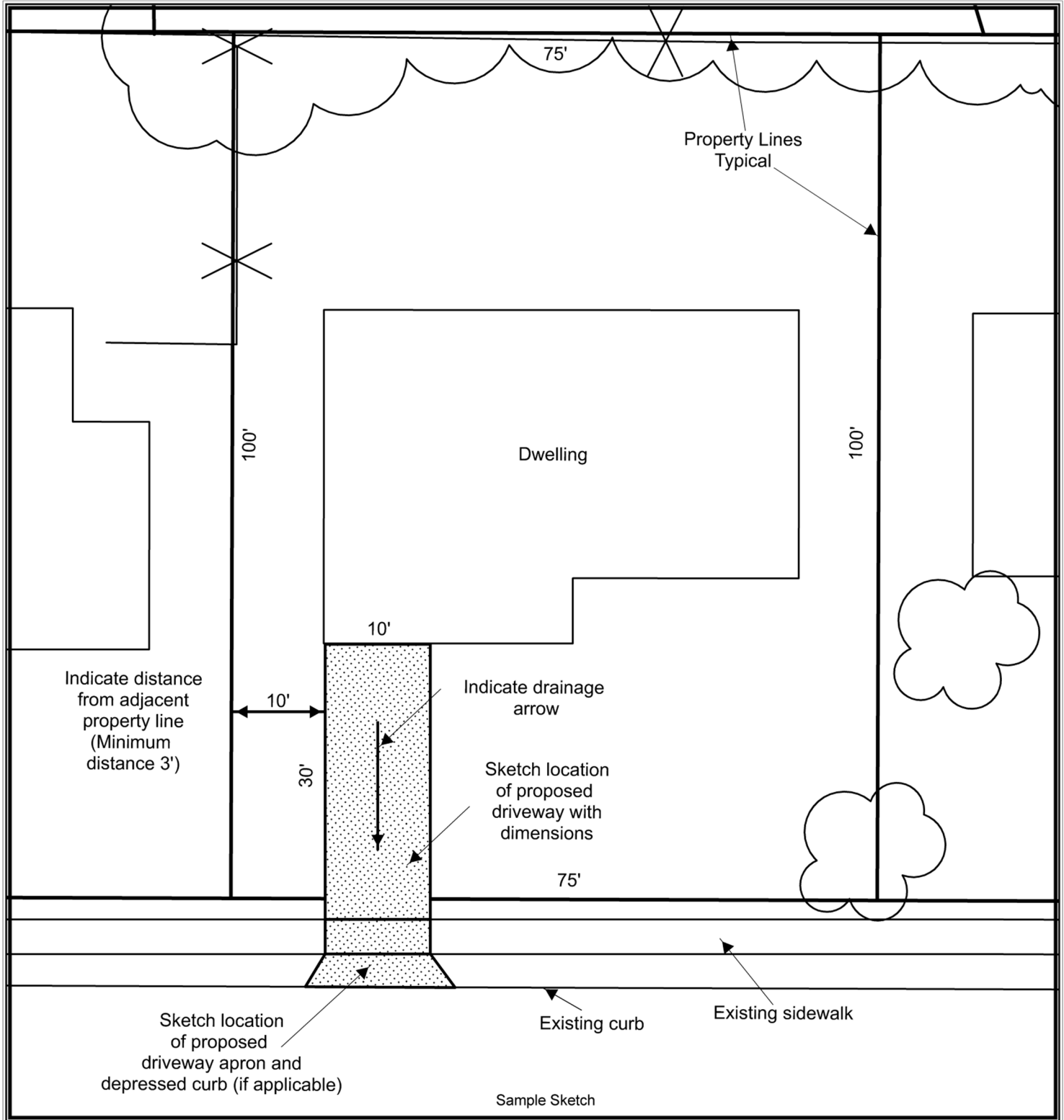




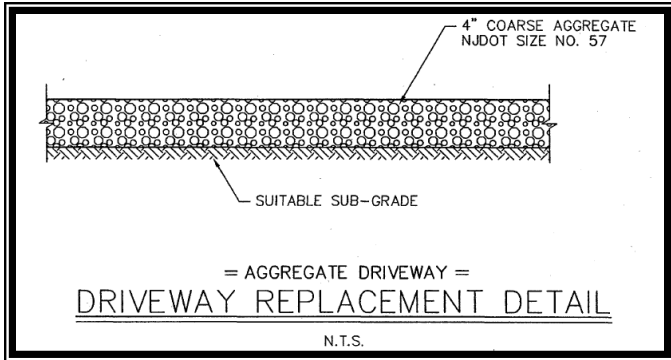
Instructions for Submitting a Driveway Permit Application
(Engineering)

- Complete Section 1 of the Engineering Permit application.
- Submit copy of property survey indicating all items shown on the sample sketch below.
- Include a construction detail of the proposed driveway and depressed curb and apron, if applicable.
- Submit the completed application along with the required fee of \$75.00.
- After approval of the permit, contact 732-247-0922, ext 440, 48 hours prior to construction to schedule an inspection.

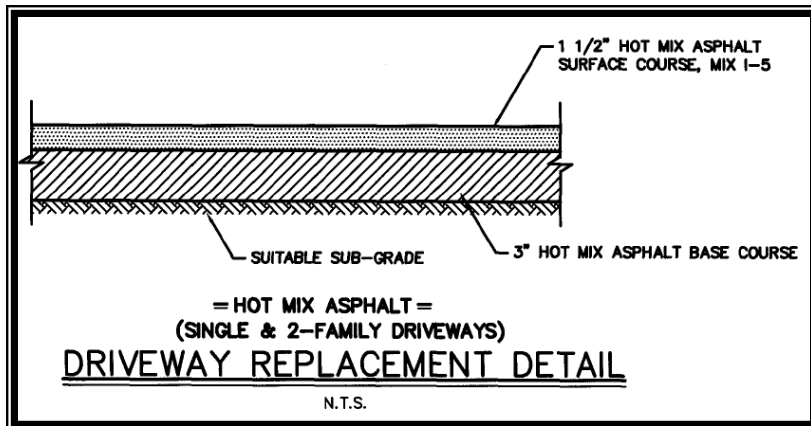


See other side for approved construction details.

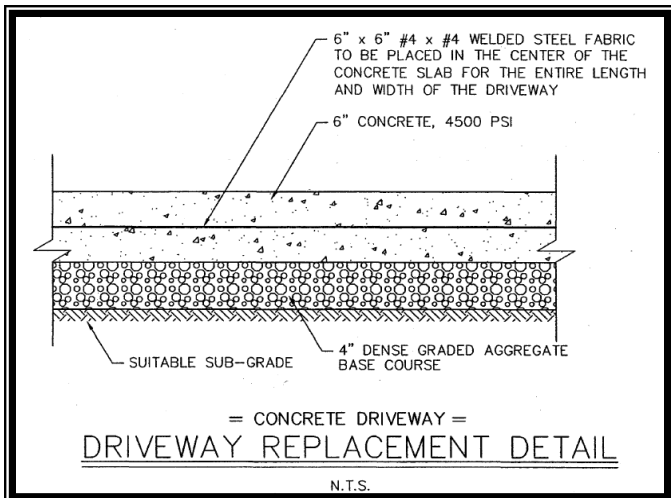
Construction Details



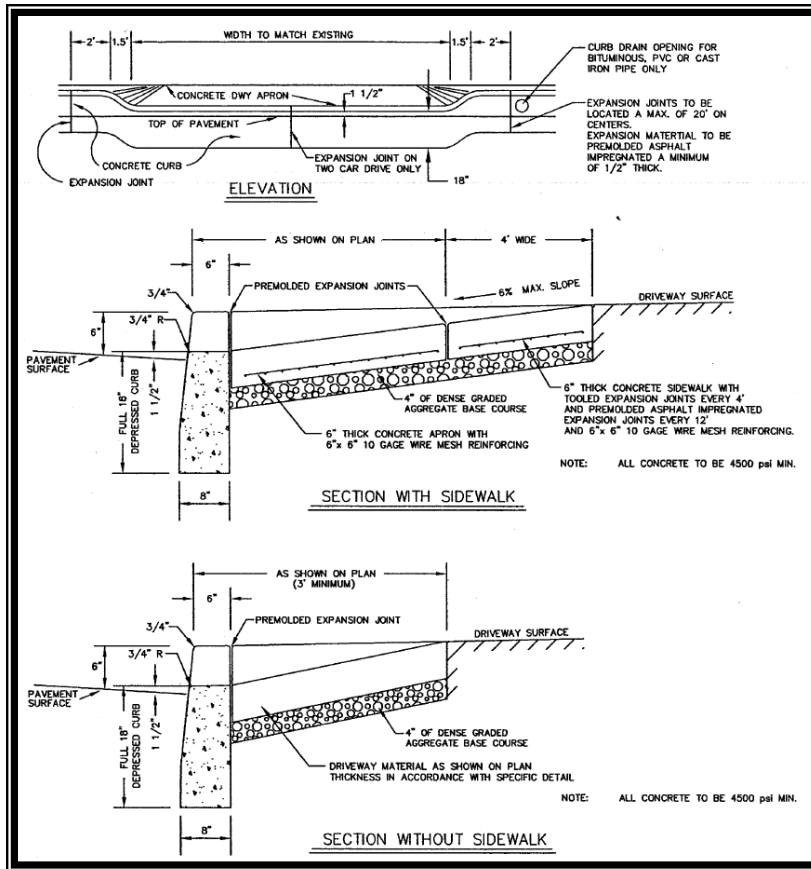
Aggregate (Stone) Driveway Detail



Asphalt Driveway Detail (Note: 5" of QP may be substituted for 3" of bituminous base course)



Concrete Driveway Detail



Depressed Curb and Apron Detail